

Schottky Barrier Rectifier

SS12 - SS14

Features

- Metal silicon junction, majority carrier conduction
- High forward surge current capability
- Low forward voltage drop
- High temperature soldering guaranteed: 260°C @ 10s
- Robust guarding for over voltage protection
- RoHS compliant with Halogen-free



Mechanical Data

- Case: SMA molded plastic
- Molding compound: UL flammability classification rating 94V-0
- Terminals: Matte tin plated leads; solderable per J-STD-002 and JESD22-B102
- Polarity: Color band denotes cathode end

Maximum Ratings (@ T_A = 25°C unless otherwise specified)

| Parameter | Symbol | SS12 | SS13 | SS14 | Unit |
|---|-------------------|------|------|------|------|
| Peak Repetitive Reverse Voltage | V _R RM | 20 | 30 | 40 | V |
| RMS Reverse Voltage | V _R MS | 14 | 21 | 28 | V |
| DC Blocking Voltage | V _D C | 20 | 30 | 40 | V |
| Maximum Average Forward Output Current | I _F AV | 1.0 | | | A |
| Peak Forward Surge Current, 8.3ms Single Half Sine wave | I _F SM | 35 | | | A |

Thermal Characteristics

| Parameter | Symbol | SS12 | SS13 | SS14 | Unit |
|--------------------------------------|-------------------|------------|------|------|------|
| Typical Thermal Resistance *1 | R _θ JA | 70 | | | °C/W |
| | R _θ JC | 25 | | | |
| | R _θ JL | 30 | | | |
| Operating Junction Temperature Range | T _J | -55 ~ +125 | | | °C |
| Storage Temperature Range | T _{STG} | -55 ~ +150 | | | °C |

Note *1: Device mounted on p.c.b. with 10 mm x 20 mm x 0.1 mm copper pad area

Schottky Barrier Rectifier

SS12 - SS14

Electrical Characteristics (@ $T_A = 25^\circ\text{C}$ unless otherwise specified)

| Parameter | Symbol | Test Conditions | | Typ. | Max. | Unit |
|---|--------|---------------------|-----------------------------|------|-------|---------------|
| Maximum Instantaneous Forward Voltage ^{*1} | V_F | $I_F = 1.0\text{A}$ | @ $T_A = 25^\circ\text{C}$ | - | 0.5 | V |
| Maximum Reverse Current ^{*2} | I_R | Rated V_R | @ $T_J = 25^\circ\text{C}$ | - | 500.0 | μA |
| | | | @ $T_J = 100^\circ\text{C}$ | - | 20.0 | mA |

Note^{*1}: Pulse test: 300us pulse width, 1 % duty cycle

Note^{*2}: Pulse test: Pulse width 40ms

Schottky Barrier Rectifier

SS12 - SS14

Ratings and Characteristics Curves (@ $T_A = 25^\circ\text{C}$ unless otherwise noted)

Fig. 1 Forward Current Derating Curve

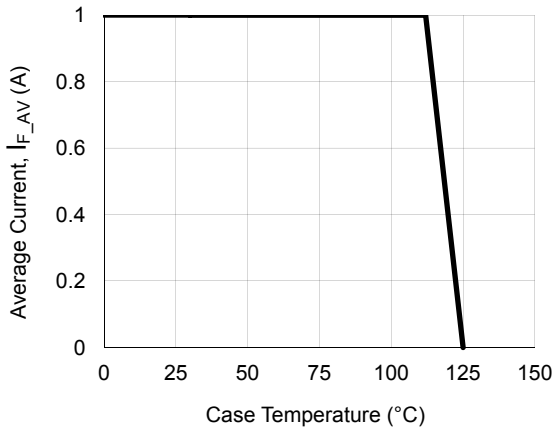


Fig. 2 Surge Current Derating Curve

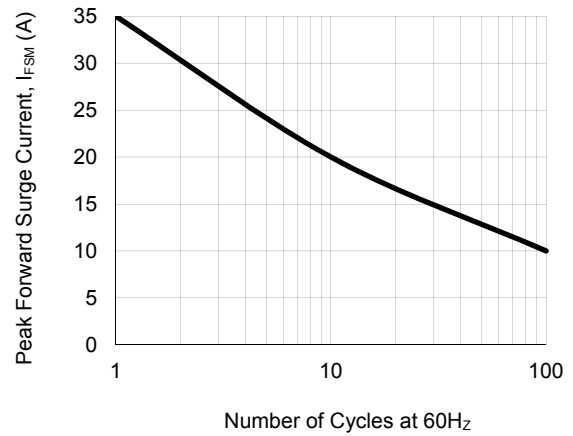


Fig. 3 Typical Forward Voltage Characteristics

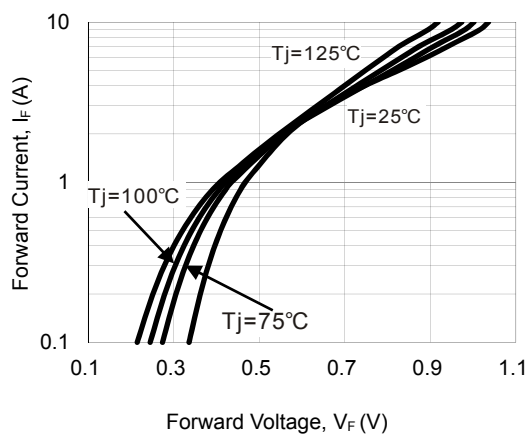
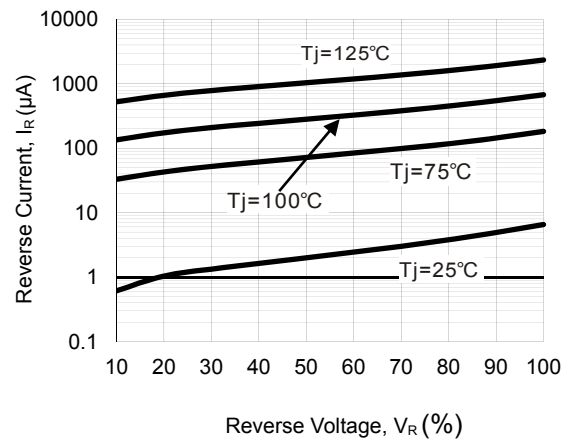


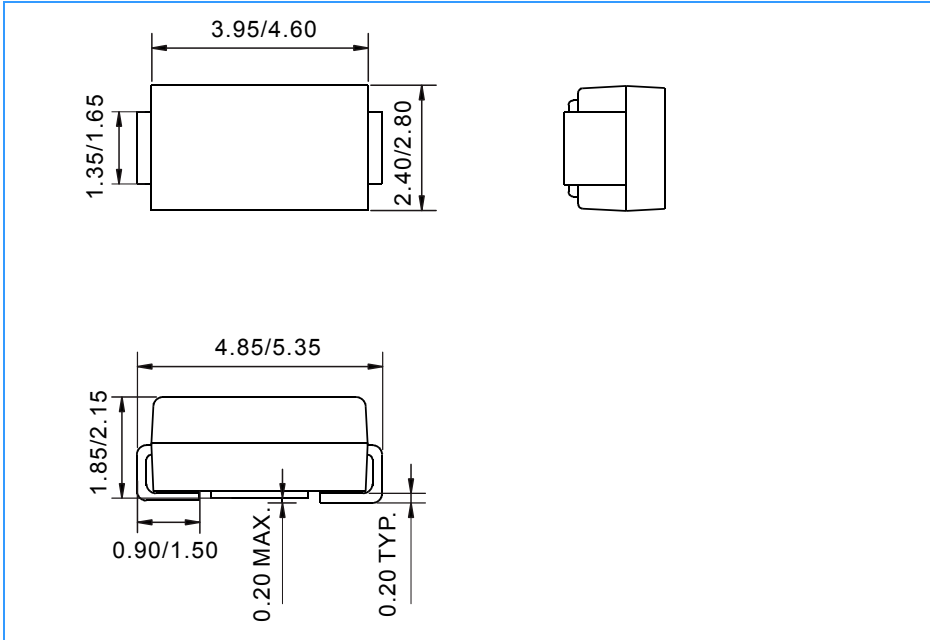
Fig. 4 Typical Reverse Characteristics



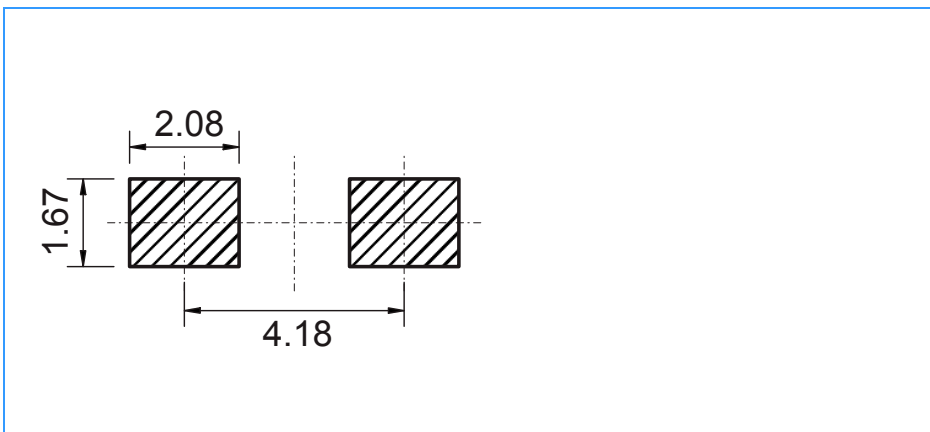
Schottky Barrier Rectifier

SS12 - SS14

Package Outline Dimensions (Unit: mm)



Mounting Pad Layout (Unit: mm)



Ordering Information

| Part Number | Marking | Package | Shipping Quantity |
|-------------|---------|---------|--------------------|
| SS12 | SS12 | SMA | 5000 / Tape & Reel |
| SS13 | SS13 | SMA | 5000 / Tape & Reel |
| SS14 | SS14 | SMA | 5000 / Tape & Reel |